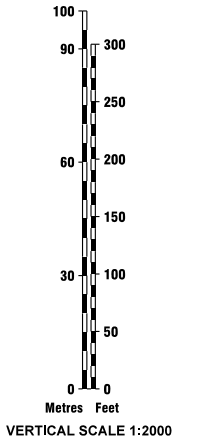
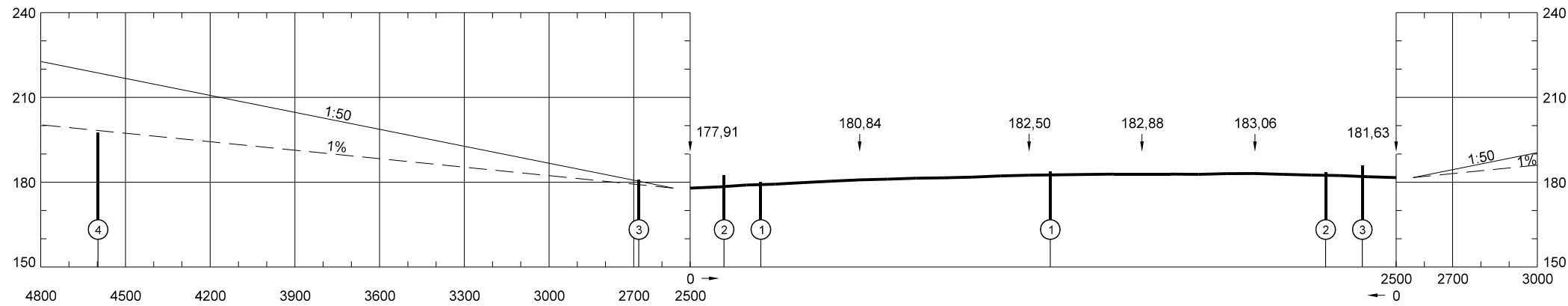


AERODROME OBSTACLE CHART - ICAO TYPE A

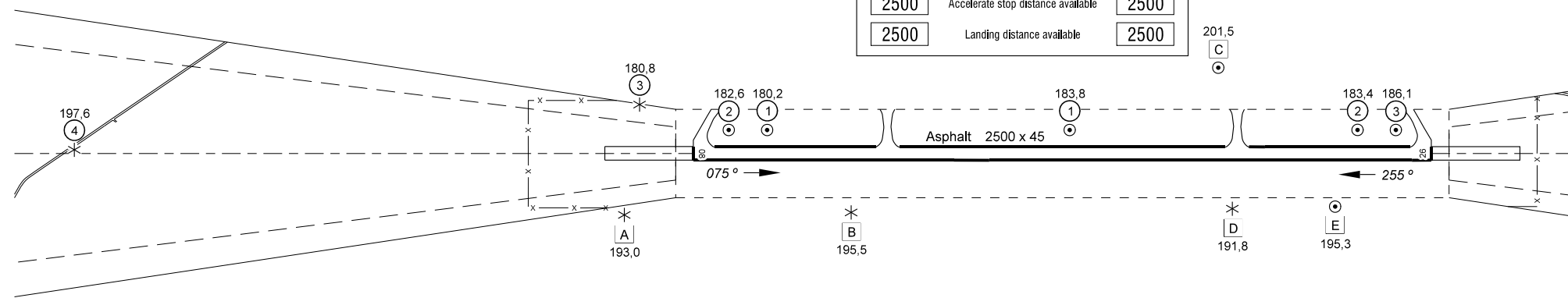
MAGDEBURG/COCHSTEDT
RWY 08/26

DIMENSIONS AND ELEVATIONS IN METRES
MAGNETIC VARIATION 2.1° E (2011,07)

RUNWAY 08/26



RWY 08	DECLARED DISTANCES	RWY 26
2500	Take-off run available	2500
2500	Take-off distance available	2500
2500	Accelerate stop distance available	2500
2500	Landing distance available	2500

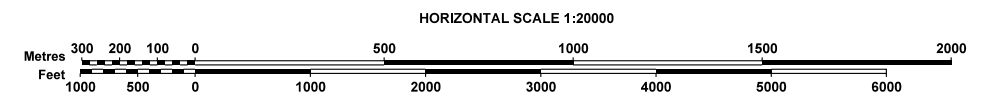


AMENDMENT RECORD		
NO.	DATE	ENTERED BY

Date of survey: 01/2011

LEGEND

- Terrain penetrating obstacle plane
- Wooded areas penetrating obstacle plane
- Structure gauge
- Pole, tower, chimney, antenna
- Tree, shrub
- Building
- Obstacle penetrating obstacle plane, profile presentation
- Obstacle penetrating the transitional surfaces
- High tension cable, overhead cable
- Fence
- Railroad (one or more tracks)



Correction: New Survey.