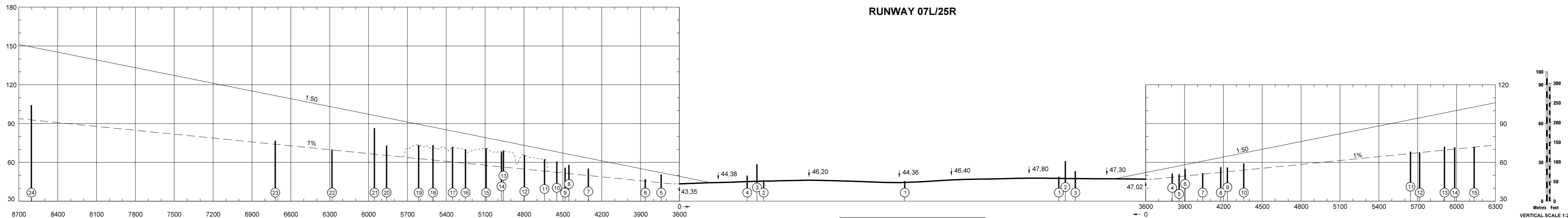
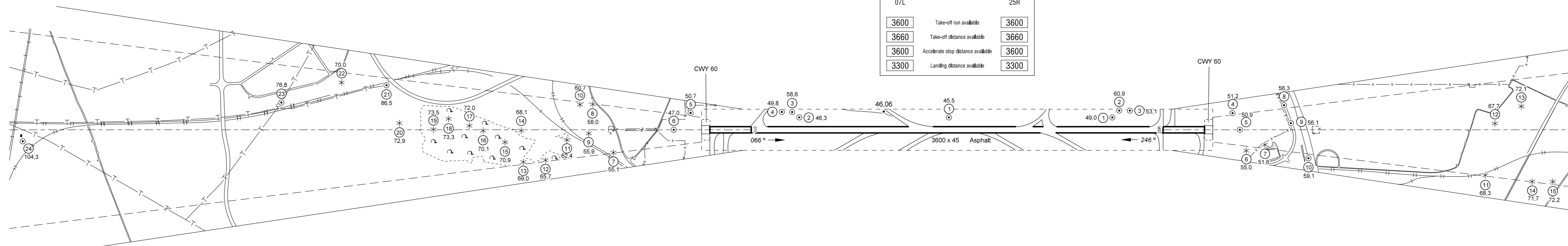


DIMENSIONS AND ELEVATIONS IN METRES
MAGNETIC VARIATION 2.9° E (2013,01)

RUNWAY 07L/25R



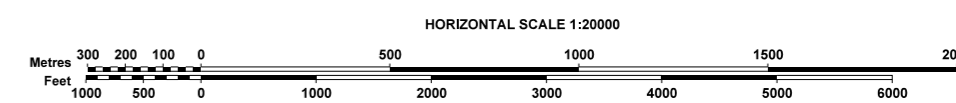
RWY 07L	DECLARED DISTANCES	RWY 25R
3600	Take-off run available	3600
3660	Take-off distance available	3660
3600	Accelerate stop distance available	3600
3300	Landing distance available	3300



AMENDMENT RECORD		
NO.	DATE	ENTERED BY

Date of survey: 02/2013

LEGEND	
	Terrain penetrating obstacle plane
	Wooded areas penetrating obstacle plane
	Structure gauge
	Pole, tower, chimney, antenna
	Tree, shrub
	Building
	Obstacle penetrating obstacle plane, profile presentation
	Obstacle penetrating the transitional surfaces
	High tension cable, overhead cable
	Fence
	Railroad (one or more tracks)



Correction: New survey.