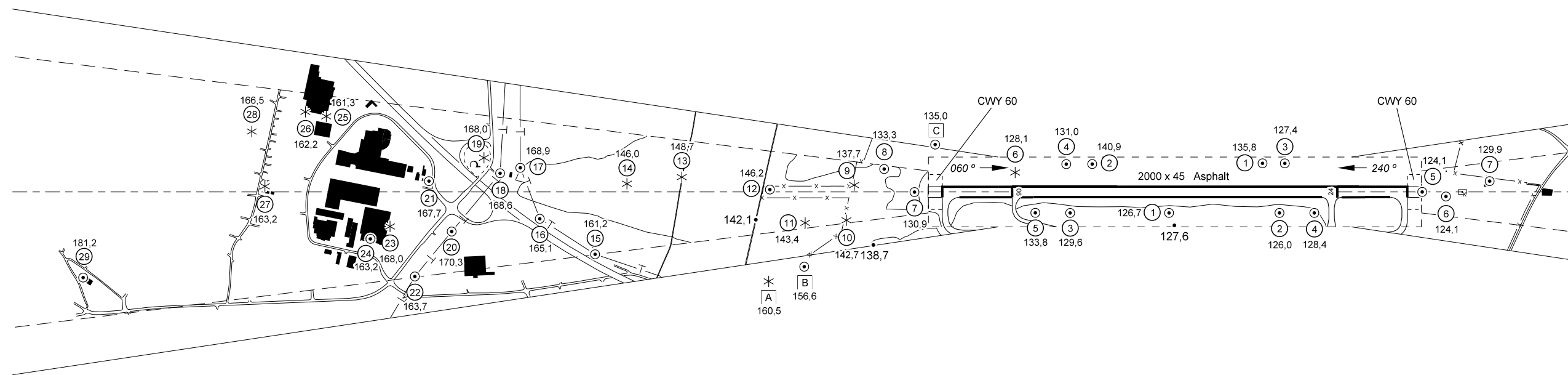
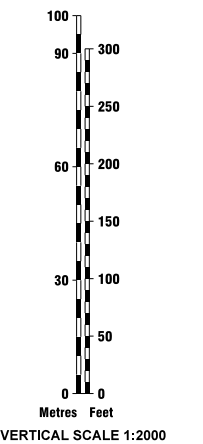
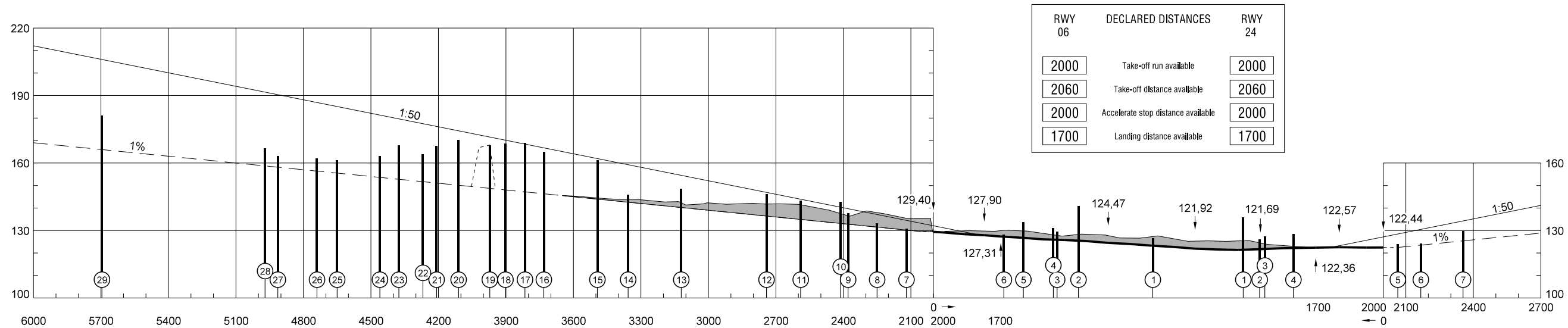


AERODROME OBSTACLE CHART - ICAO TYPE A

DORTMUND  
RWY 06/24

DIMENSIONS AND ELEVATIONS IN METRES  
MAGNETIC VARIATION 0,8° E (2010,7)

**RUNWAY 06/24**



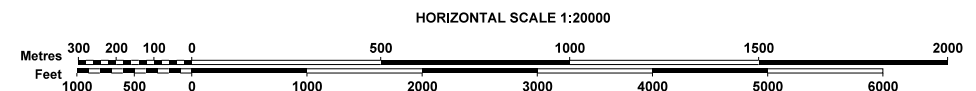
**LEGEND**

	Terrain penetrating obstacle plane		Building
	Wooded areas penetrating obstacle plane		Obstacle penetrating obstacle plane, profile presentation
	Structure gauge		Obstacle penetrating the transitional surfaces
	Pole, tower, chimney, antenna		High tension cable, overhead cable
	Tree, shrub		Fence
			Railroad (one or more tracks)

**AMENDMENT RECORD**

NO.	DATE	ENTERED BY

Date of survey: 04/2010



Correction: New Survey.