

**AERODROME ELEVATION 191 FEET**  
MAGNETIC VARIATION 4° E 2015

**RUNWAY BEARINGS**

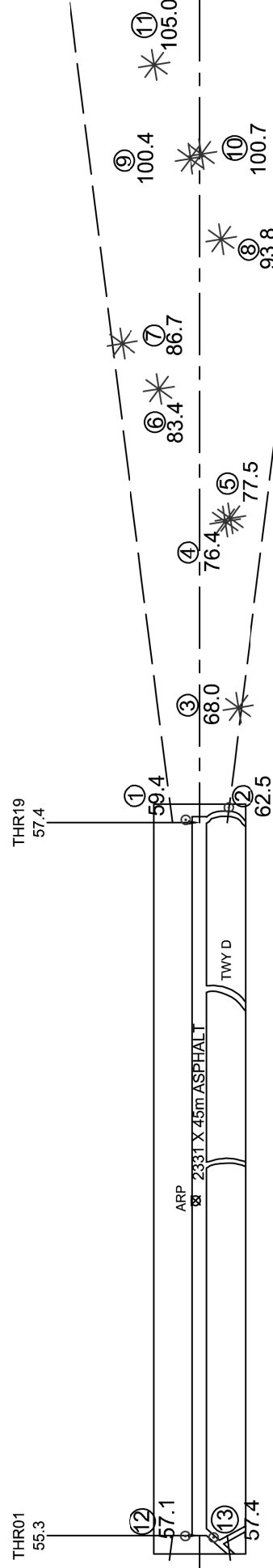
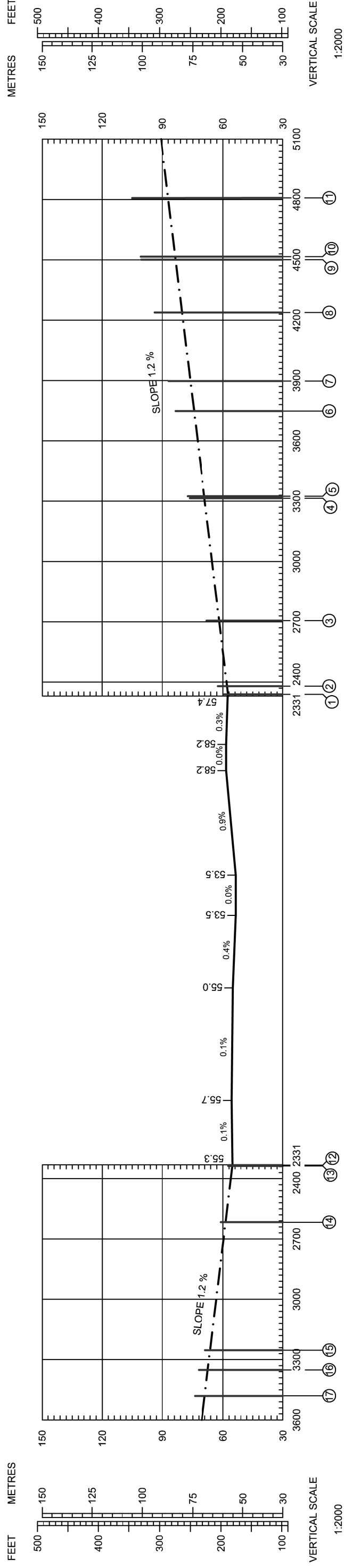
01 = GEO 008.69°; MAG 005°  
19 = GEO 188.69°; MAG 185°

**RWY 01**

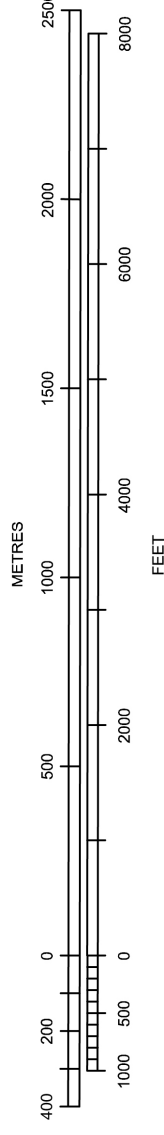
DECLARED DISTANCES	RWY 19
TAKE-OFF RUN AVAILABLE	2331
TAKE-OFF DISTANCE AVAILABLE	2331
ACCELERATE STOP DIST. AVAILABLE	2331
LANDING DISTANCE AVAILABLE	2331

**TWY D**

TAKE-OFF RUN AVAILABLE	1570
TAKE-OFF DISTANCE AVAILABLE	1570
ACCELERATE STOP DIST. AVAILABLE	1570



HORIZONTAL SCALE 1:20 000



**LEGEND**

IDENTIFICATION NUMBER	①
POLE, TOWER, SPIRE, ANTENNA, ETC.	○
TREE OR SHRUB	✱
TERRAIN PENETRATING OBSTACLE PLANE	—