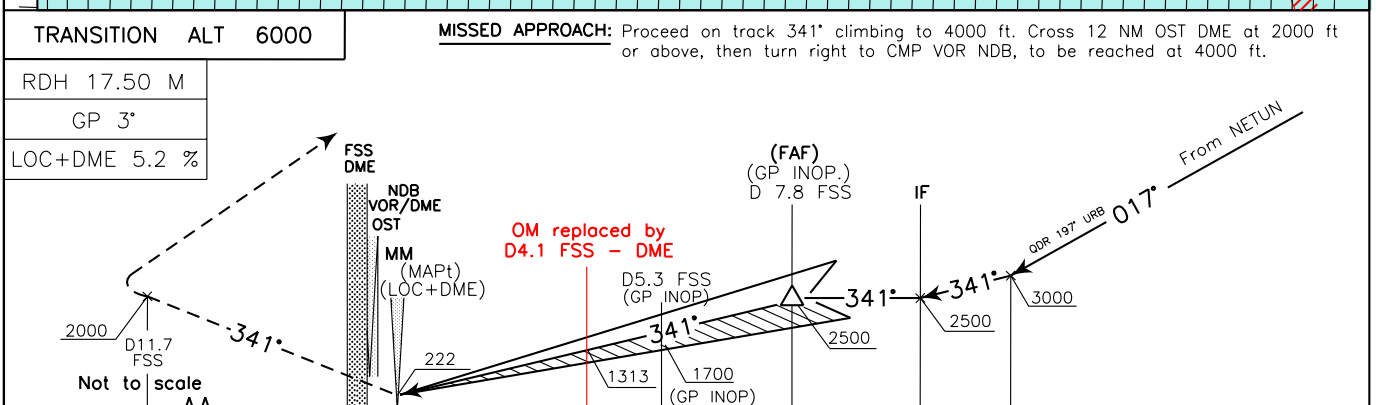
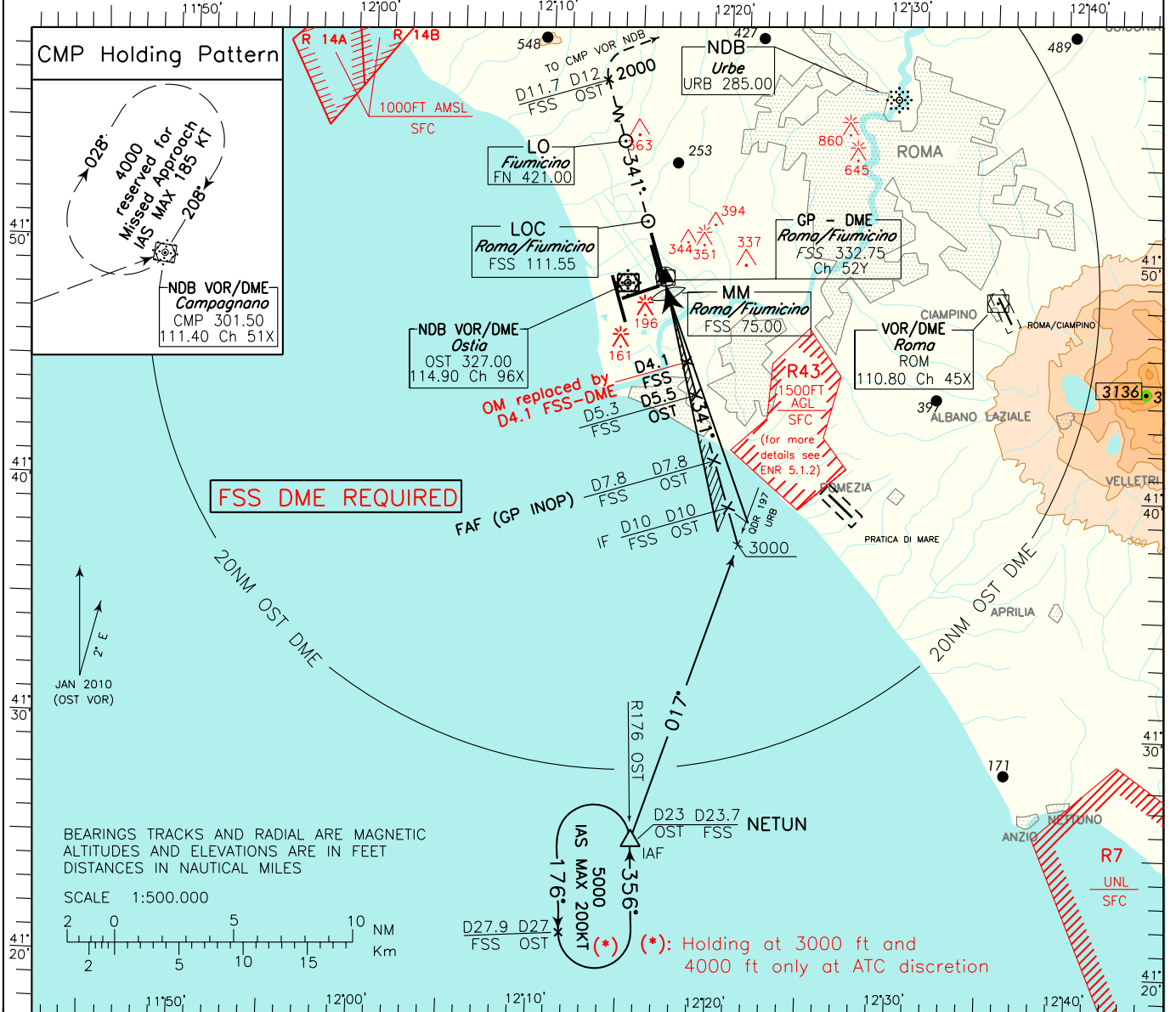


DOC. 8168 ED.5-2006 AMDT 4

ATIS 120.175	APP Roma Arrivals 125.500 Roma Director 131.250	AD ELEV 13	LIRF ROMA/FIUMICINO ILS-Z or LOC RWY 34R
	TWR Fiume Tower 118.700 (127.625)		
	GND Fiume Ground 121.900		



OST DME	D14	D13	D12	D11	D10	D9	D8	D7	D6	D5	D4	D3	D2	D1	D0	D0.1	D0.2	D0.3	D0.4	D0.5	D0.6	D0.7	D0.8	D0.9	D0.10	D0.11	D0.12	D0.13	D0.14	D0.15	D0.16	OST DME
FSS DME																																FSS DME

OCA(OCH)		A	B	C	D	FT per MIN	GS	FAF - D4.1	D4.1 - MM	MNM SECT ALT OST 
STRAIGHT IN APPROACH	ILS CAT I	170 (165)	180 (175)	190 (185)	200 (195)					
	LOC+DME	420 (415)				530	100	2 : 13	2 : 02	
CIRCLING		800 (787)		900 (887)		635	120	1 : 51	1 : 42	
						745	140	1 : 35	1 : 27	
						850	160	1 : 23	1 : 17	