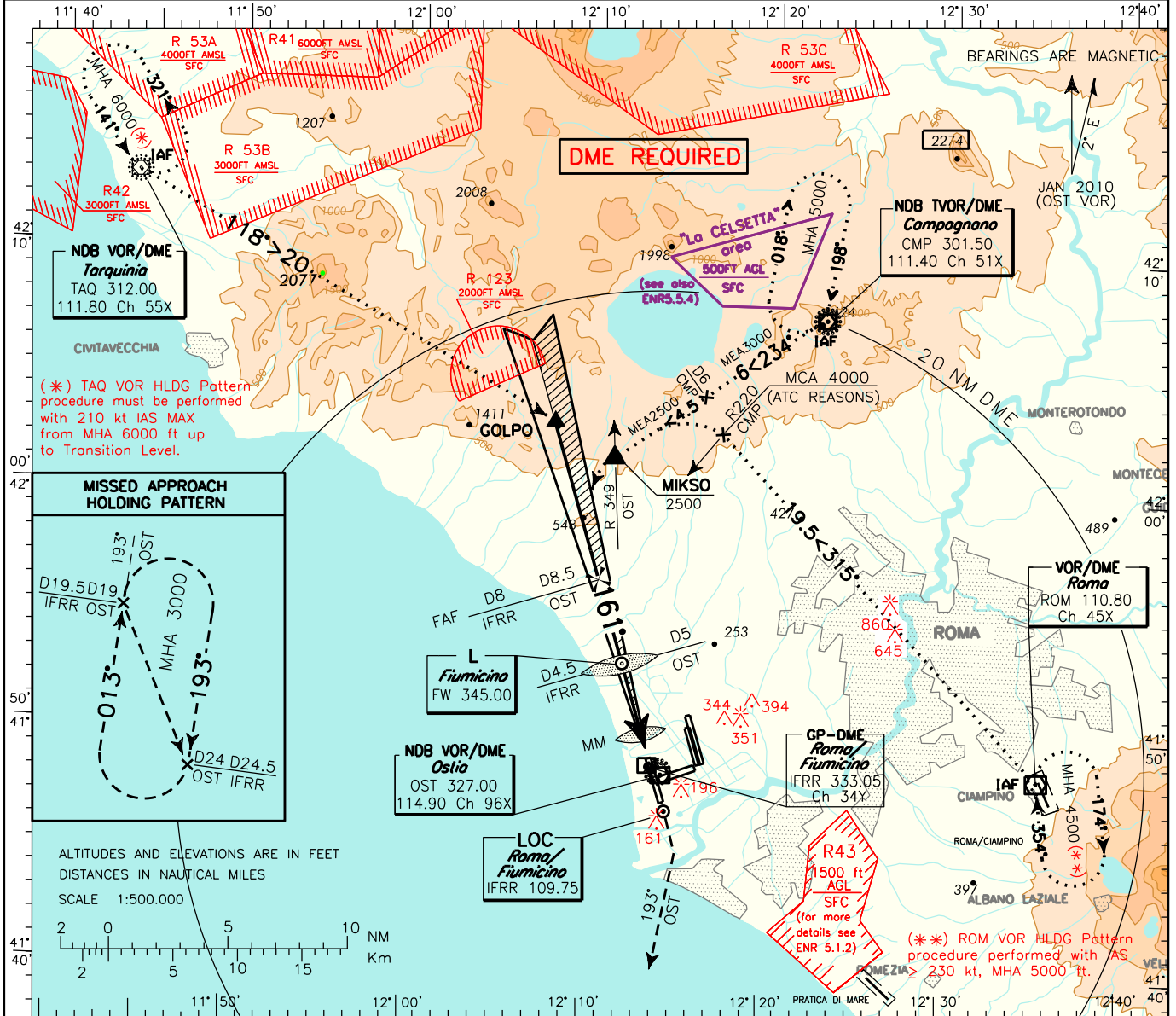


DOC. 8168 ED.5-2006 AMDT 4

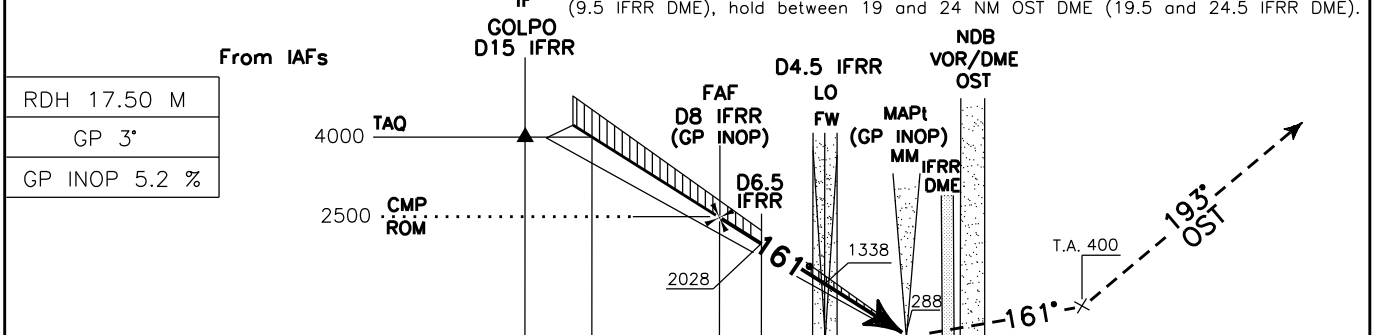
CHANGE: ATS GEOGRAPHY UPDATED - M.A. PROFILE VIEW UPDATED

ATIS 126.125 APP Roma Arrivals 125.500 TWR Roma Director 131.250 GND Fiume Ground 121.900	AD ELEV	13	LIRF ROMA/FIUMICINO ILS-Z RWY 16R
	R 53A 4000FT AMSL SFC R 41 6000FT AMSL SFC R 53B 3000FT AMSL SFC R 42 3000FT AMSL SFC R 123 2000FT AMSL SFC R 53C 4000FT AMSL SFC R 123 2000FT AMSL SFC R 43 1500 FT AGL SFC (for more details see ENR 5.1.2)		
	MHA 6000 MHA 5000 MCA 4000 (ATC REASONS) MEA 3000 MCA 2500 MEA 2500 MHA 4500 MHA 5000		
	DME REQUIRED NDB VOR/DME Tarquinia TAQ 312.00 111.80 Ch 55X NDB VOR/DME Campagnano CMP 301.50 111.40 Ch 51X VOR/DME Roma ROM 110.80 Ch 45X VOR/DME Ostia OST 327.00 114.90 Ch 96X GP-DME Roma/Fiumicino IFRR 333.05 Ch 34Y LOC Roma/Fiumicino IFRR 109.75 NDB VOR/DME Ostia OST 327.00 114.90 Ch 96X LOC Roma/Fiumicino IFRR 109.75		



TRANSITION ALT 6000

MISSED APPROACH: Climb to 400 ft on TR 161°, then turn right to join RDL/QDR 193° OST VOR NDB continue climb to 3000 ft, cross 2000 ft not further than 9 NM OST DME (9.5 IFRR DME), hold between 19 and 24 NM OST DME (19.5 and 24.5 IFRR DME).



OST DME	D15.5	D8.5	D7	D5	THR Elev 7	OST DME												
IFRR DME	18	16	14	12	10	8	6	4	2	0	2	4	6	8	10	12	14	IFRR DME

STRAIGHT IN APPROACH	ILS CAT I	ILS CAT II	LOC	OCA(OCH)				FT per MIN	GS	FAF-OM		OM-MM		MNM SECT ALT OST	VOR NDB
				A	B	C	D			3.5 NM	3.3 NM	2 : 37	2 : 28		
				190 (183)	200 (193)	210 (203)	220 (213)	420	80	2 : 37	2 : 28	2 : 06	1 : 59		
				83 (76)	100 (93)	112 (105)	126 (119)	525	100	2 : 06	1 : 59	1 : 45	1 : 39		
				400 (387)				630	120	1 : 45	1 : 39	1 : 30	1 : 25		
				800 (787)				735	140	1 : 30	1 : 25	1 : 18	1 : 14		
				900 (887)				845	160	1 : 18	1 : 14				