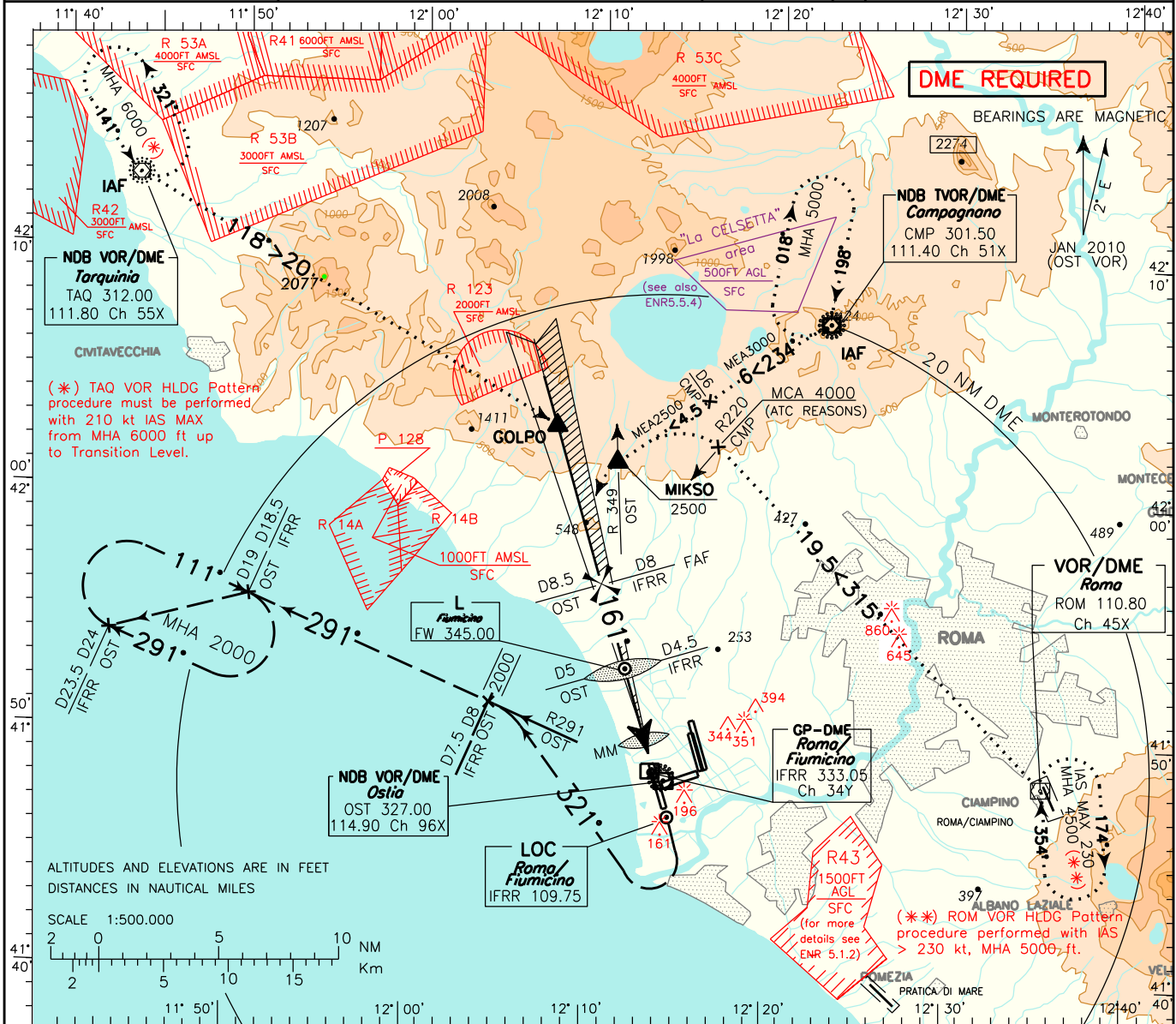


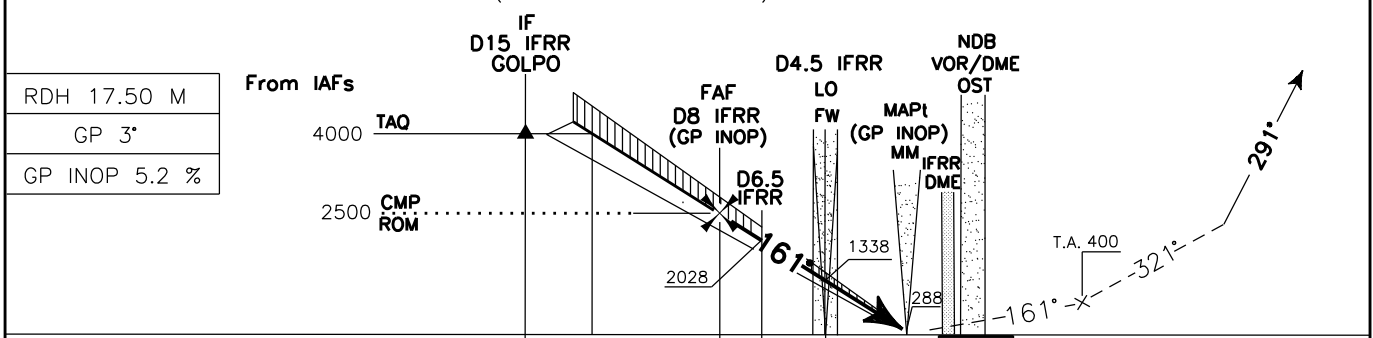
DOC. 8168 ED.5-2006 AMDT 4

CHANGE: ATS GEOGRAPHY UPDATED

<b>ATIS</b> 126.125 <b>TWR</b> Roma Arrivals Roma Director Fiume Tower <b>GND</b> Fiume Ground	<b>APP</b> Roma Arrivals Roma Director Fiume Tower Fiume Ground	125.500 131.250 118.700 (127.625) 121.900	<b>AD ELEV</b> 13	<b>LIRF</b> ROMA/FIUMICINO ATC DISCRETION ONLY ILS-Y RWY 16R
------------------------------------------------------------------------------------------------------------	--------------------------------------------------------------------------	----------------------------------------------------	----------------------	-----------------------------------------------------------------------



TRANSITION ALT 6000 MISSED APPROACH: Proceed on TR 161° climbing to 2000 ft; crossing 400 ft turn right (IAS MAX 200 kt) on TR 321° to intercept and follow RDL 291° OST VOR. Cross point RDL 291/8 NM OST VOR/DME (7.5 IFRR DME) at 2000 ft steady. Hold on RDL 291° OST VOR between 19 and 24 NM OST DME (18.5 and 23.5 NM IFRR DME) at 2000 ft.



OST DME	30	28	26	24	22	20	18	16	14	12	10	8	6	4	2	0	2	4	6	8	10	12	14	16	18	20	22	24	26	28	30	IFRR DME
---------	----	----	----	----	----	----	----	----	----	----	----	---	---	---	---	---	---	---	---	---	----	----	----	----	----	----	----	----	----	----	----	----------

OCA(OCH)	A	B	C	D	FT per MIN	GS	FAF-OM	OM-MM	MNM SECT ALT OST VOR NDB
	ILS CAT I	190 (183)	200 (193)	210 (203)			220 (213)	3.5 NM	
STRAIGHT IN APPROACH	ILS CAT II	83 (76)	100 (93)	112 (105)	126 (119)	420	80	2 : 37	2 : 28
	LOC	400 (387)				525	100	2 : 06	1 : 59
CIRCLING	800 (787)		900 (887)		630	120	1 : 45	1 : 39	
					735	140	1 : 30	1 : 25	
					845	160	1 : 18	1 : 14	