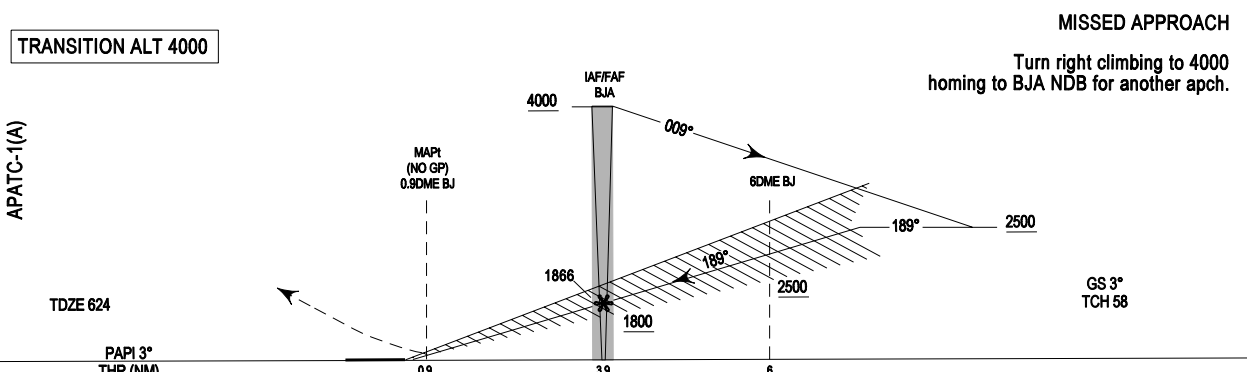
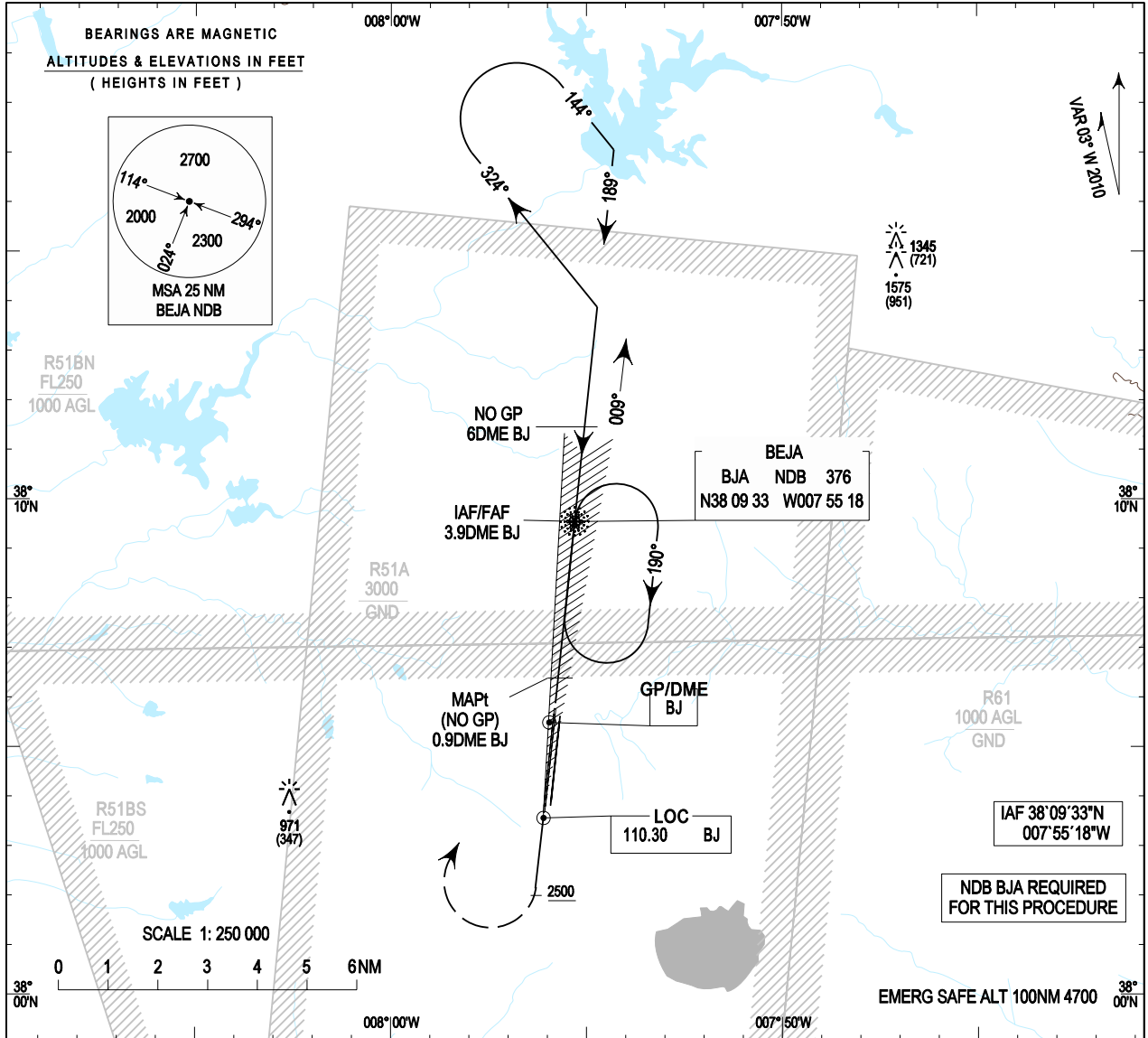


**INSTRUMENT
APPROACH
CHART - ICAO**

AD ELEV 636
HEIGHTS RELATED
THR RWY 19 - ELEV 624

TWR	130.400	241.000
APP	130.100	278.000
BEJA SMC		234.000

BEJA/LPBJ
ILS
RWY 19R
CAT ABCD



CATEGORY	A	B	C	D
ILS 19R *	824 200 (200 - 0.8)			
LOC 19R **	960 336 (400 - 0.8)	960 336 (400 - 1.2)		
CIRCLING	1120 484 (500 - 1.6)	1120 484 (500 - 2.0)	1200 564 (600 - 2.8)	

* WHEN ALS INOP INCREASE VISIBILITY CAT ABCD 400m

** WHEN ALS INOP INCREASE VISIBILITY CAT AB 800m AND CAT CD 400m

Chart Updated

THIS PAGE INTENTIONALLY LEFT BLANK