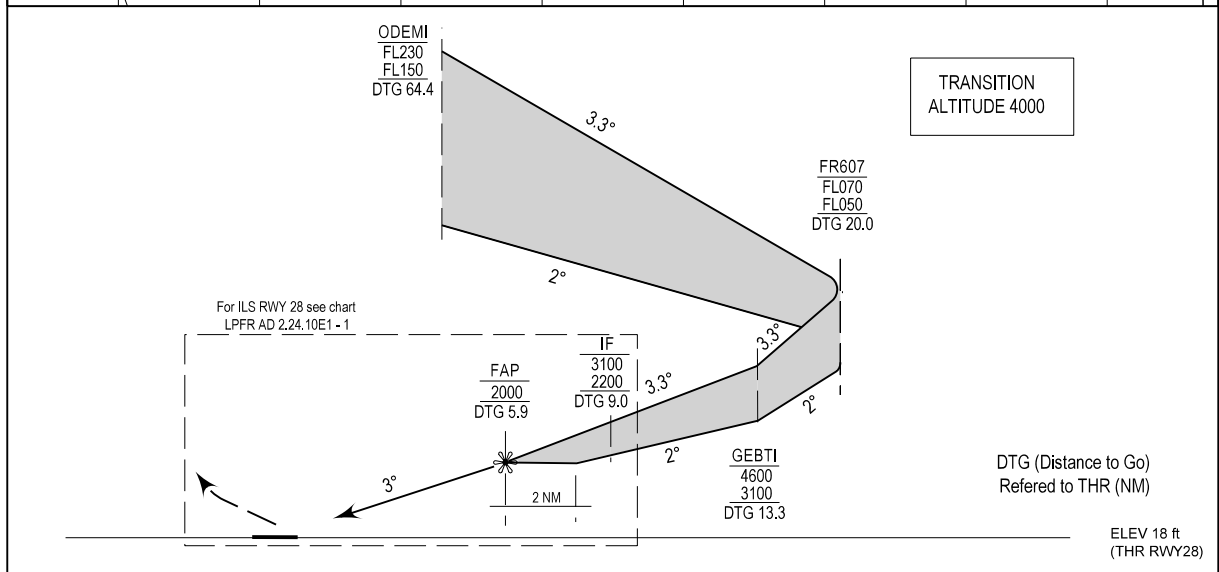
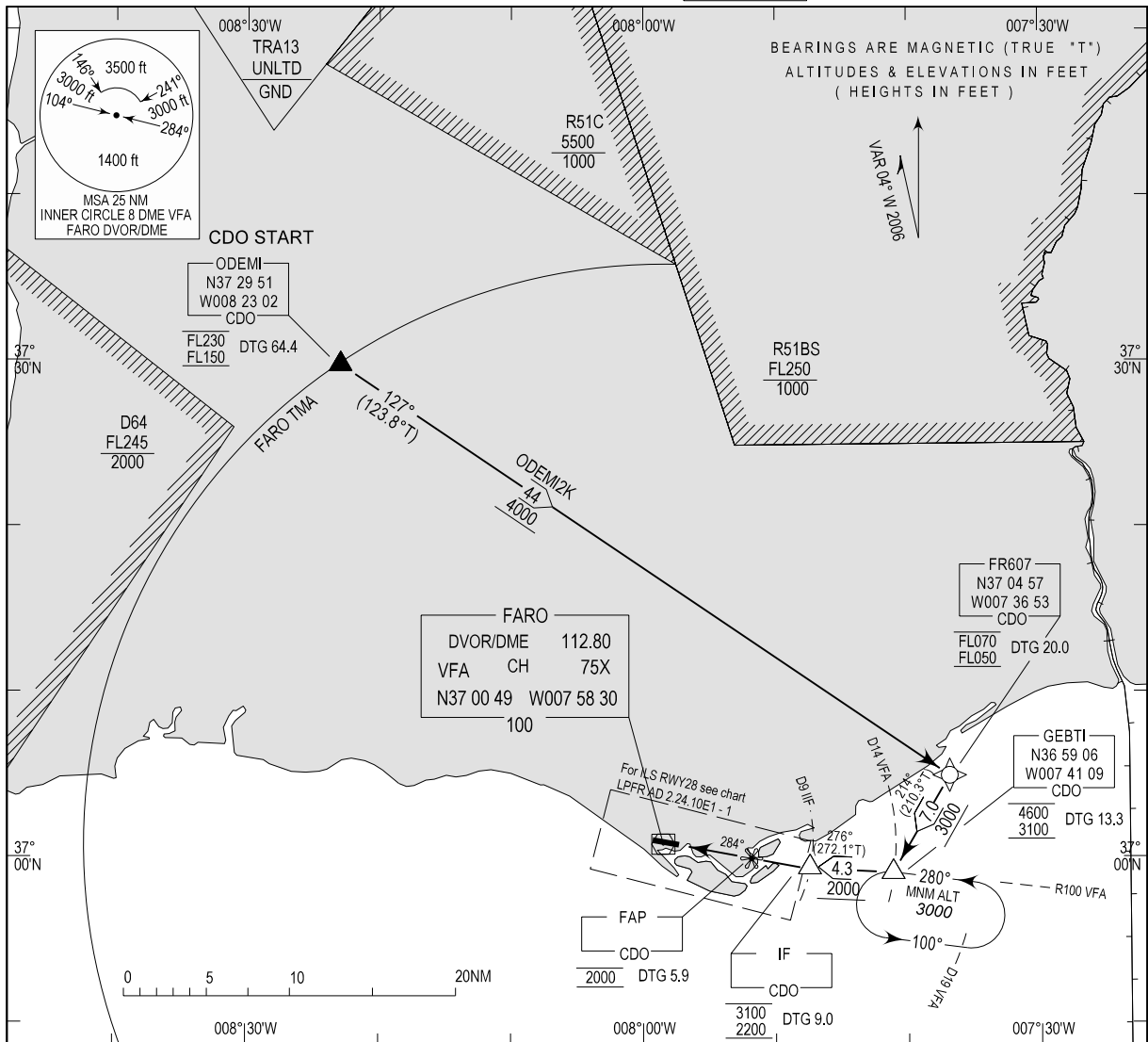


STANDARD ARRIVAL CHART -
INSTRUMENT (STAR)

TRANSITION ALTITUDE
4000

TWR 120.750
APP 119.400
ACC 122.550

FARO (LPFR)
RNAV CDO RWY28
ODEM2K



MSA CHANGED

THIS PAGE INTENTIONALLY LEFT BLANK