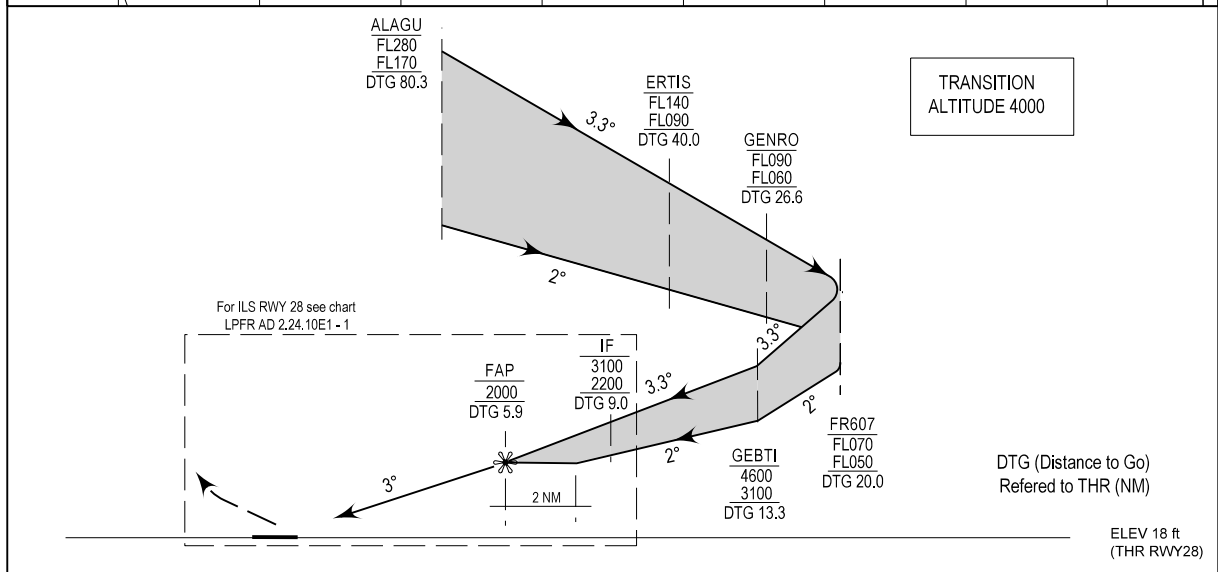
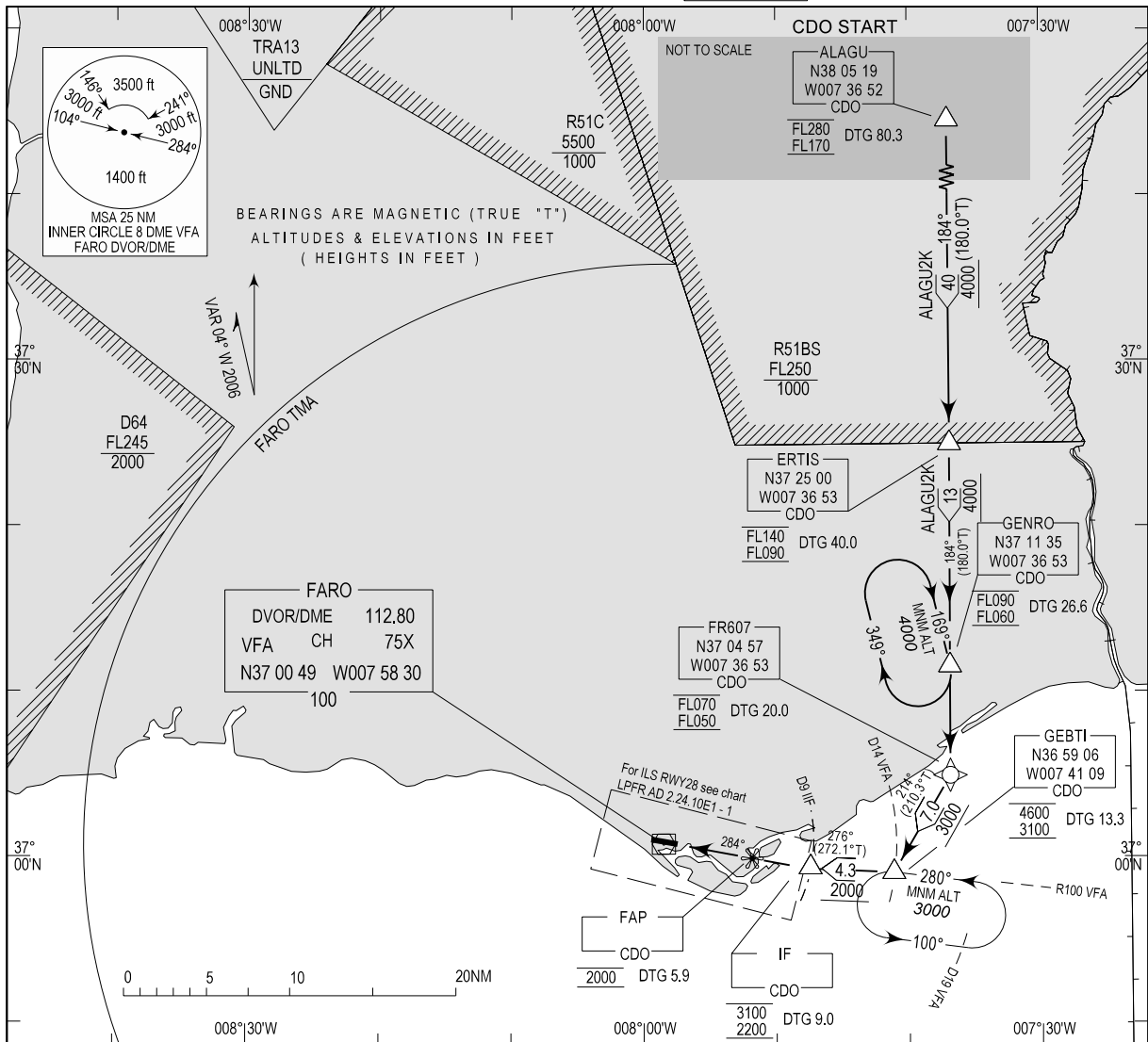


STANDARD ARRIVAL CHART -  
INSTRUMENT (STAR)

TRANSITION ALTITUDE  
4000

TWR 120.750  
APP 119.400  
ACC 122.550

FARO (LPFR)  
RNAV CDO RWY 28  
ALAGU2K



MSA CHANGED

THIS PAGE INTENTIONALLY LEFT BLANK