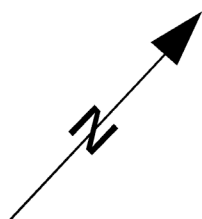
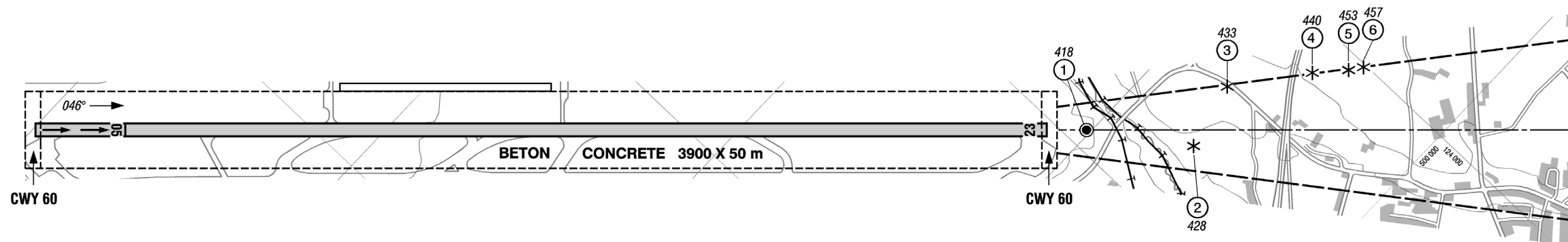
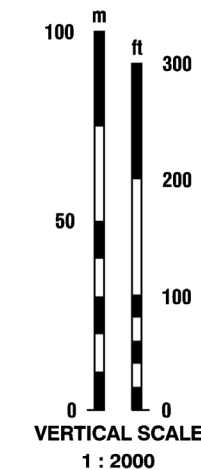
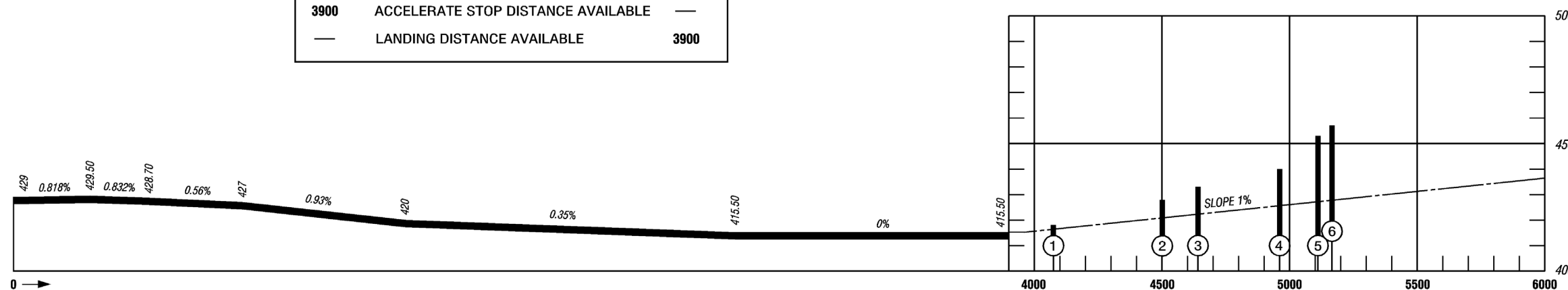


VAR 0° 02' E (04.5)

RWY: 05

RWY 05	DECLARED DISTANCES	RWY 23
3900	TAKE-OFF RUN AVAILABLE	—
3960	TAKE-OFF DISTANCE AVAILABLE	—
3900	ACCELERATE STOP DISTANCE AVAILABLE	—
—	LANDING DISTANCE AVAILABLE	3900



LEGEND

①	Identification number
*	Tree, shrub
●	Pole, tower, spire, antenna, etc.
■	Building, large structure
—+—	Railroad
—+—	Transmission line, overhead cable
⌒	Terrain penetrating obstruction plane

THIS PAGE INTENTIONALLY LEFT BLANK