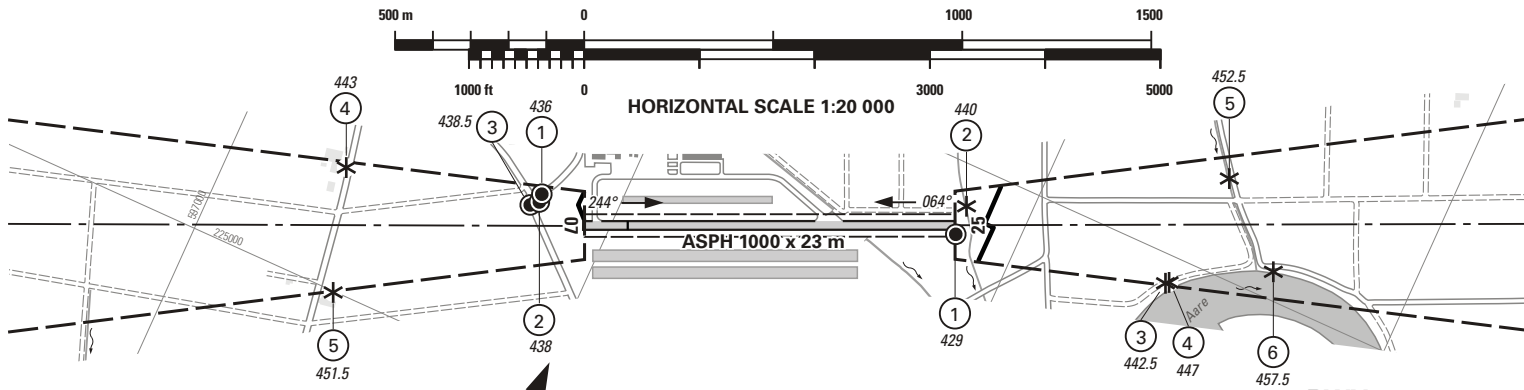
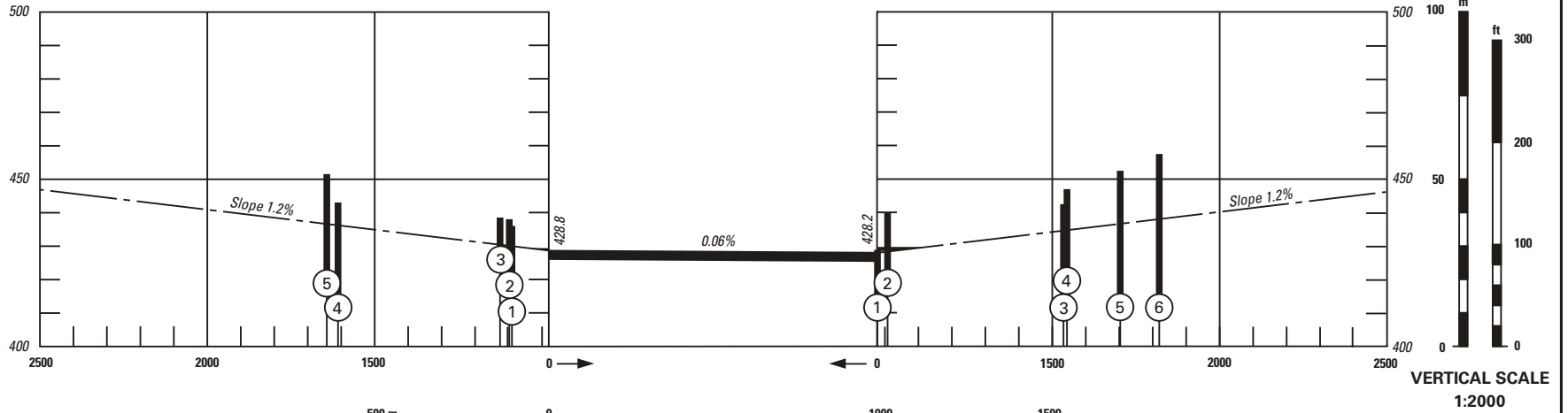


VAR 2° E (2013)



LEGEND

- ① Identification number
- * Tree, shrub
- Pole, tower, spire, antenna, etc.
- ⌒ Terrain penetrating obstruction plane

RWY: 07-25

RWY 07	DECLARED DISTANCES	RWY 25
955 ¹⁾	TAKE-OFF RUN AVAILABLE	980 ²⁾
955 ¹⁾	TAKE-OFF DISTANCE AVAILABLE	980 ²⁾
955 ¹⁾	ACCELERATE STOP DISTANCE AVAILABLE	980 ²⁾
865	LANDING DISTANCE AVAILABLE	1000

¹⁾ MAX 980 m with use of 25 m take-off run extension due to runway code number criteria.
²⁾ Due to runway code number criteria.

AMDT RECORD		
No.	DATE	ENTERED BY

OBST ELEV in m
AD ELEV in m

ORDER OF ACCURACY ACCORDING TO ICAO REQUIREMENTS

COR: New chart

1st Edition

© 2013 Swisstopo. CH-3084 Wabern

MM

THIS PAGE INTENTIONALLY LEFT BLANK