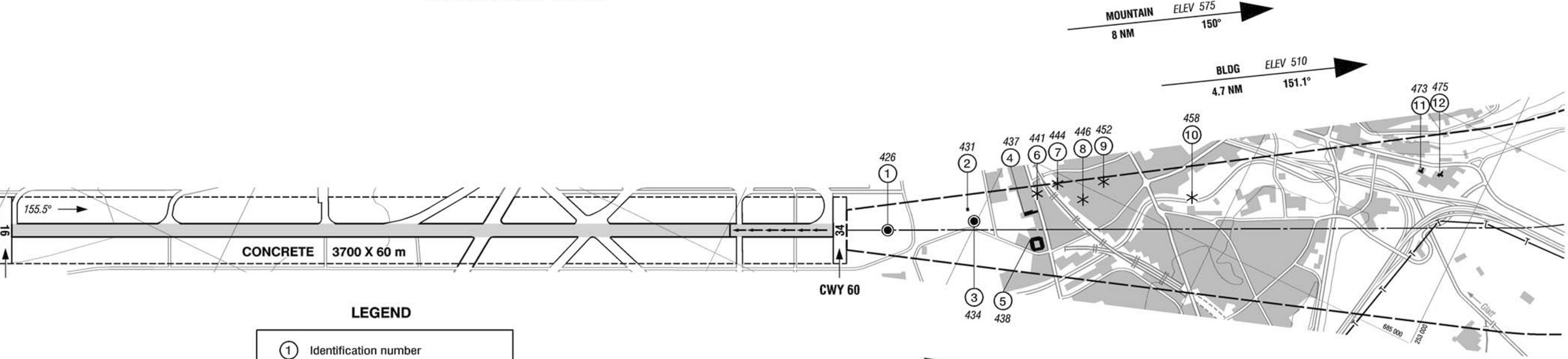
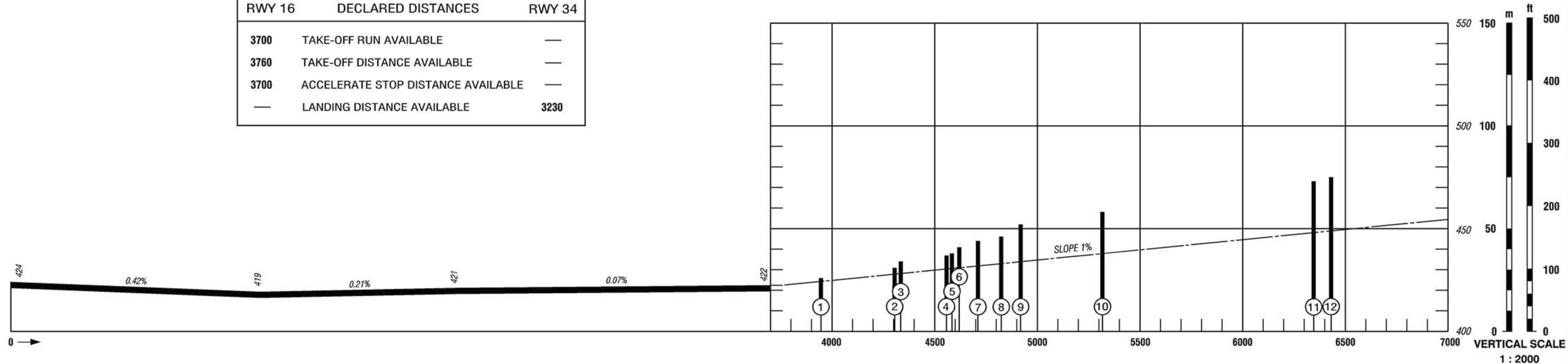


VAR 0° 49' E (05.5)

**RWY: 16**

RWY 16	DECLARED DISTANCES	RWY 34
3700	TAKE-OFF RUN AVAILABLE	—
3760	TAKE-OFF DISTANCE AVAILABLE	—
3700	ACCELERATE STOP DISTANCE AVAILABLE	—
—	LANDING DISTANCE AVAILABLE	3230



**LEGEND**

- ① Identification number
- \* Tree, shrub
- Pole, tower, spire, antenna, etc.
- Building, large structure
- +— Railroad
- T— Transmission line, overhead cable
- ⤴ Terrain penetrating obstruction plane

COR:LDA, displaced THR, VAR

SWISSAIR PHOTO + VERMESSUNGS AG, 8105 REGENSDORF

10th Edition

© Federal Office of Topography CH-3084 Wabern

THIS PAGE INTENTIONALLY LEFT BLANK