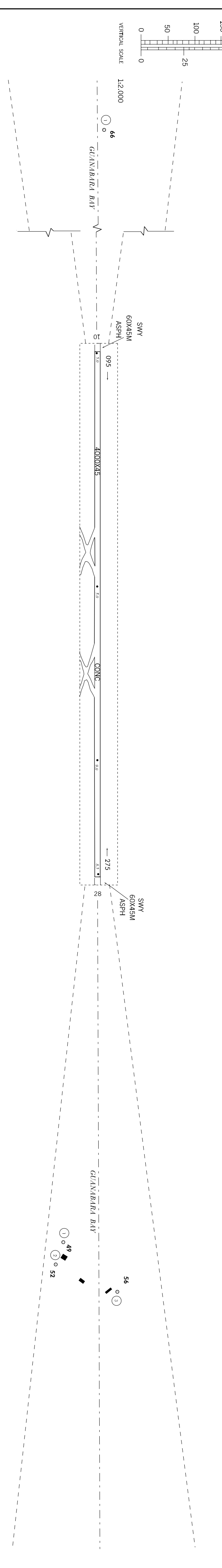
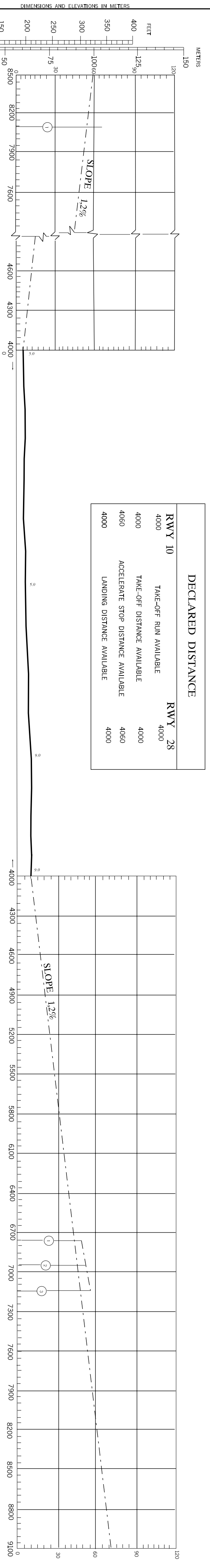
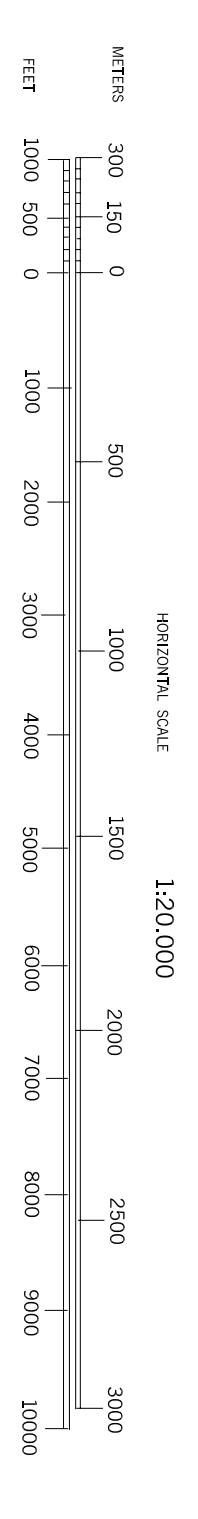


VAR 21° W (2002)



LEGEND

IDENTIFICATION NUMBER	①
BUILDING OR LARGE STRUCTURE	■
POLE, TOWER, ANTENNA, ETC...	○



AMENDMENT RECORD

Nº	DATE	ENTERED BY