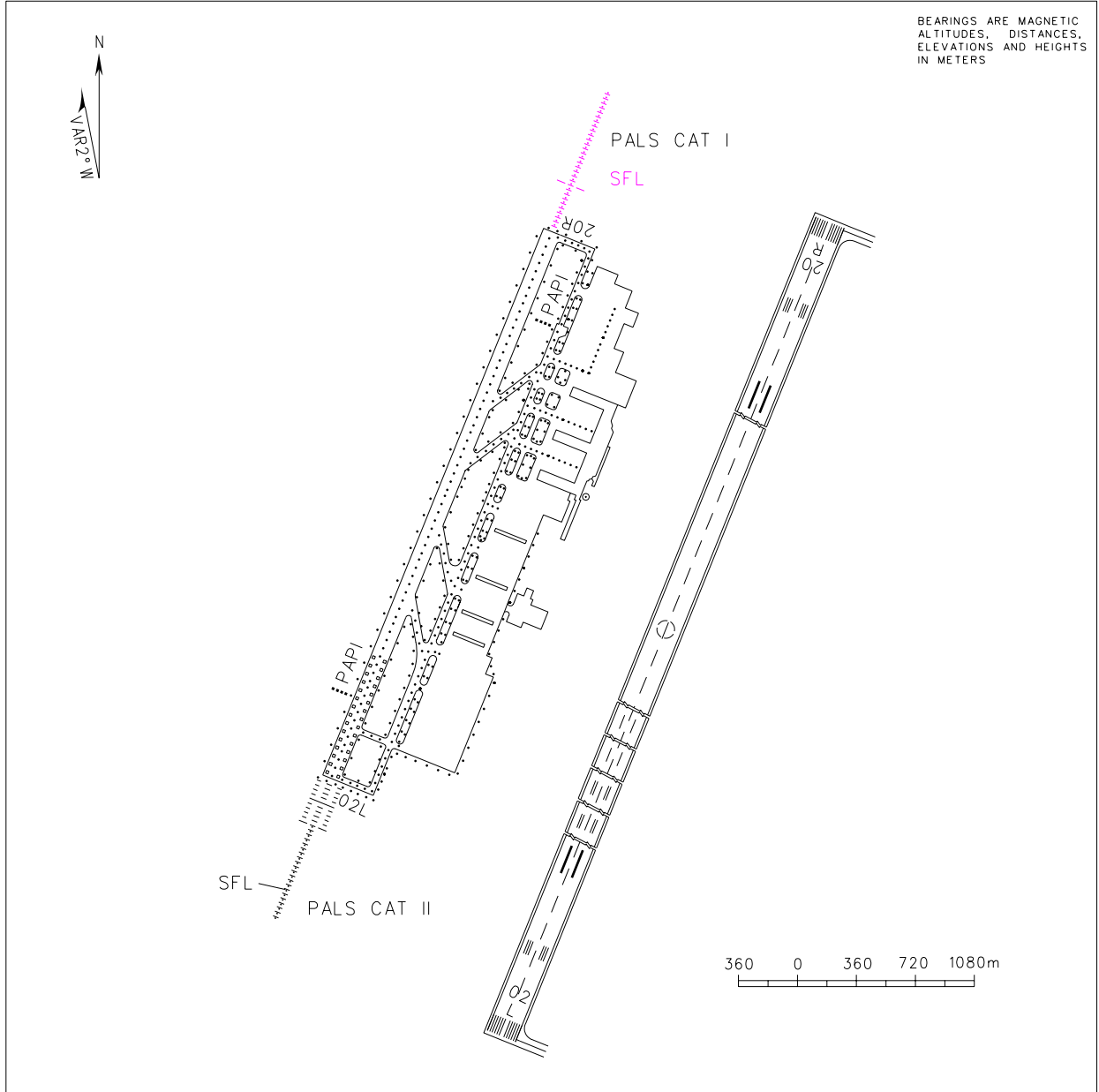


D-ATIS 131.45
 ATIS 128.6
 TWR 123.0(118.85) for RWY02L/20R
 130.35(118.85) for RWY02R/20L
 GND 121.85, 121.75(121.7)
 DCL 131.45
 Delivery 121.6(121.7)

ZUUU CHENGDU/Shuangliu
 N30° 34.8'E103° 56.9' ELEV 512m

AERODROME CHART

BEARINGS ARE MAGNETIC
 ALTITUDES, DISTANCES,
 ELEVATIONS AND HEIGHTS
 IN METERS



TAKE-OFF MINIMA(WITH RELIABLE ALTN)(m)				LIGHTS			
ACFT Type		RWY02L		RWY02L/20R		RWY02L	RWY20R
		Low visibility procedure in force		REDL	NIL (Day only)	PALS CAT II PAPI RCLL REDL SFL TDZL	PALS CAT I PAPI RCLL REDL SFL
2 TURB ENG	CAT A.B.C	RVR200	RVR250				
or 3&4 ENG	CAT D	RVR250	RVR300				
Other				VIS1600			

Changes: SFL FOR RWY20R