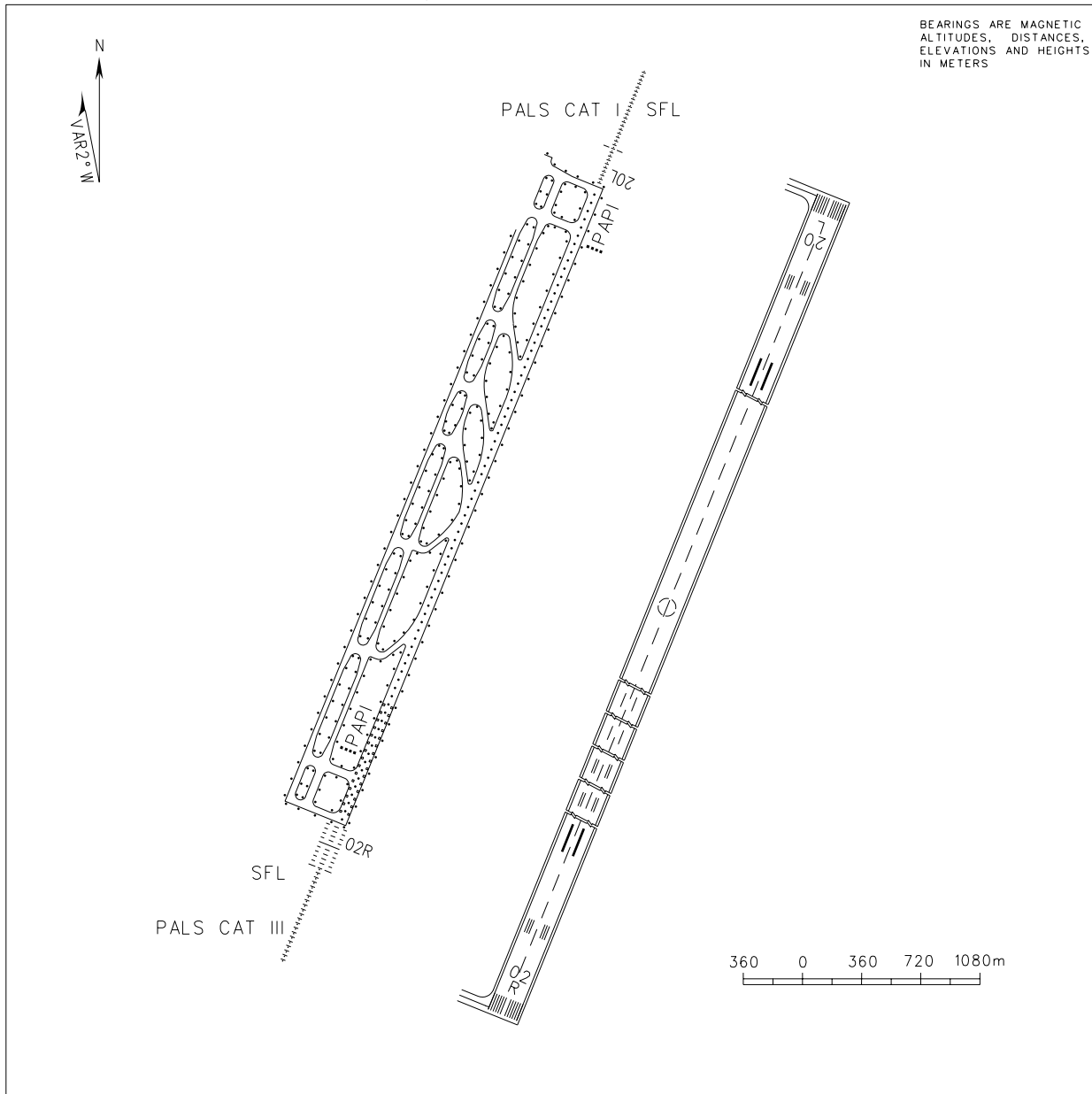


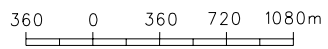
D-ATIS 131.45
 ATIS 128.6
 TWR 123.0(118.85) for RWY02L/20R
 130.35(118.85) for RWY02R/20L
 GND 121.85, 121.75(121.7)
 DCL 131.45
 Delivery 121.6(121.7)

ZUUU CHENGDU/Shuangliu
 N30°34.8'E103°56.9' ELEV 512m

AERODROME CHART



BEARINGS ARE MAGNETIC
 ALTITUDES, DISTANCES,
 ELEVATIONS AND HEIGHTS
 IN METERS



TAKE-OFF MINIMA(WITH RELIABLE ALTN)(m)		LIGHTS	
		RWY02R	RWY20L
ACFT Type		PALS CAT III PAPI RCLL REDL SFL TDZL	PALS CAT I PAPI RCLL REDL SFL
2 TURB ENG	CAT A.B.C	RCLL RCL	NIL (Day only)
or 3&4 ENG	CAT D		
Other		VIS 1600	
Changes: Take-off minima			